

## THERMOSTAT (3 SPEED FAN COIL) + FOUR SCENES BUTTON



### PRODUCT INTRODUCTION

The APEX smart thermostatic keypad is an intelligent device that can be remotely controlled through the Z-Wave network (800 LR Series). In Z-Wave network communications, this product can be connected to any standard Z-Wave gateway. This product has four touch buttons with two actions (long press and short press). The RGB backlight status color for each button and icons can be swap by dealer without any machine.

### SPECIFICATIONS

Model number	APX-GTSA-XXX
Power requirement	100 to 240VAC / DC24V / AC+0-10V
Power consumption	<1W
Frequency	868.4MHz EU (optional)
Z-wave Series	800 LR
Operational temperature	-10 to +70 °C
Humidity	5% to 90% non-condensing
Weight	0.2 kg
Material	Tampered Glass / Aluminum
Standard Size	86x86m EU size
Fan Load (coils current)	1.5A per inductive output

### ADD TO Z-WAVE NETWORK

1. Connect the device to a power source
2. Make sure LED status lights are fixed
3. Touch and hold the last button for 4 seconds, blue LED indicators start blinking (note that the gateway must be in identification mode). When identifying mode starts, the blinking color goes green and waits to complete joining. 4. When joining is completed, all LED lights will be fixed.

### REMOVE FROM Z-WAVE NETWORK

1. Make sure the device is powered.
2. Set Z-Wave gateway into exclusion mode (Refer to gateway user manual)
3. Touch and hold the last button for 12 seconds, red led lights will be blinking. If the gateway is in exclusion mode, the device will be removed from the network.

### RESET TO FACTORY SETTING (Network reset)

Touch and hold the last button for 12 seconds, red LED lights will be blinking then release the button and press and hold for more 12 seconds. The light switch will restart and finish.

### QUICK REFERENCE

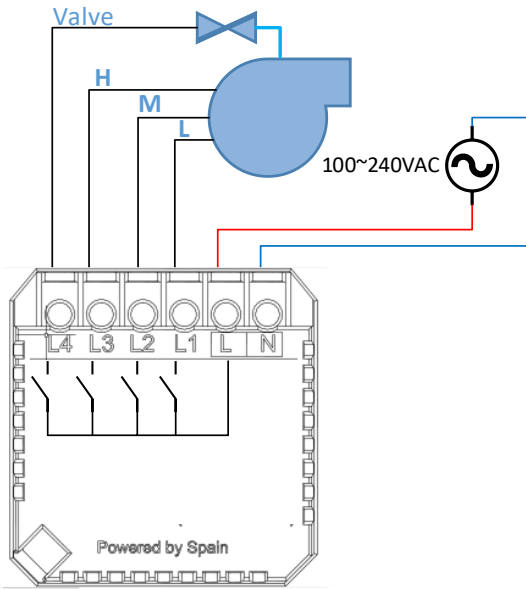
Buttons	Description
	Thermostat on/off button <b>WHILE THERMOSTAT IS ON:</b> <b>LONG PRESS FOR 3 SEC:</b> change mode (cool, heat, fan) <b>WHILE THERMOSTAT IS OFF:</b> <b>LONG PRESS FOR 3SEC:</b> active or deactivate temperature display on OFF mode
	Increase or decreases temperature set point
	Fan coil speed control: low, medium, high or Auto <b>LONG PRESS FOR 5SEC:</b> enable or disable temperature display <b>LOCK</b>

### SERVICE

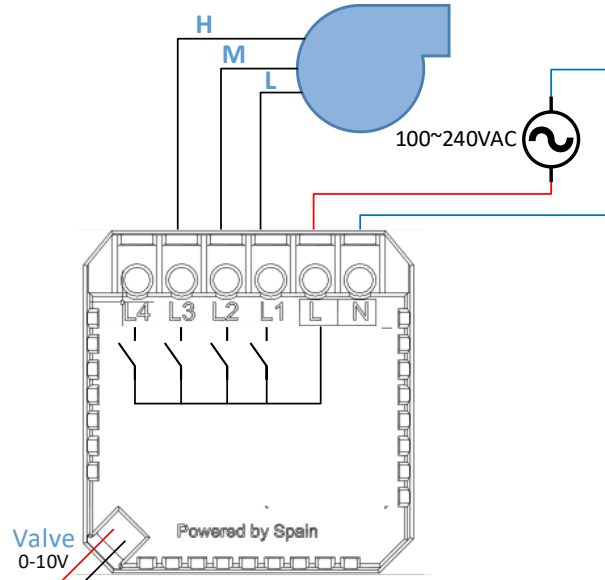
Your Thermostatic keypad switch carries a 24-month warranty from the date of purchase.



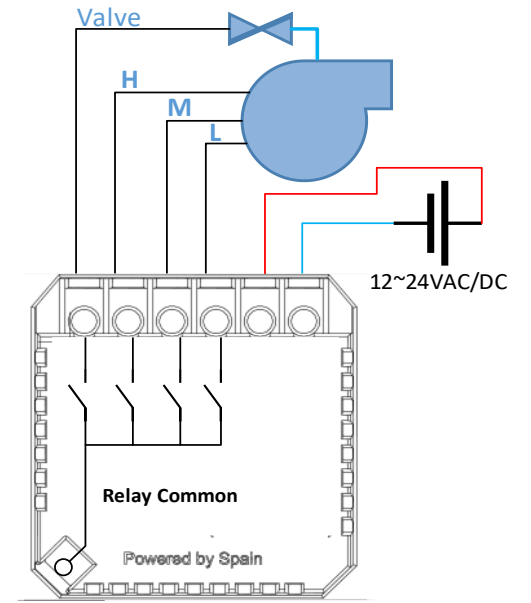
WIRING DIAGRAM:



AC POWER 3SPEED FAN COIL



AC POWER +3SPEED FAN+ DC 0-10V Valve



DC POWER 3SPEED FAN COIL